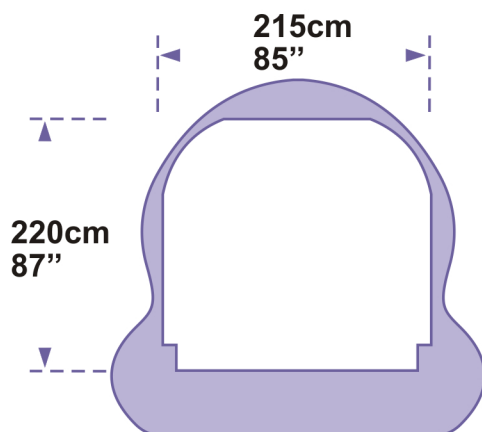
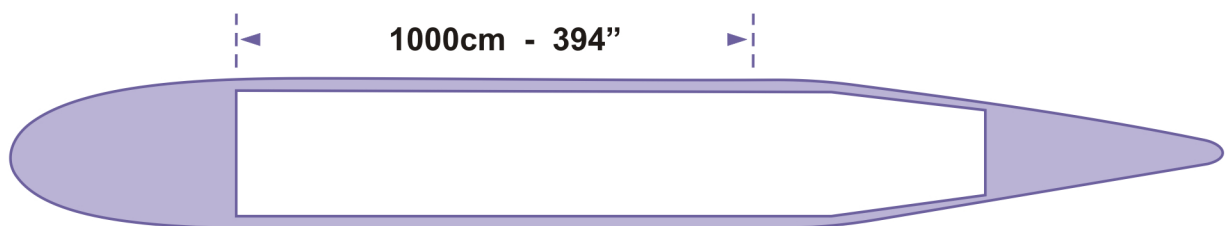
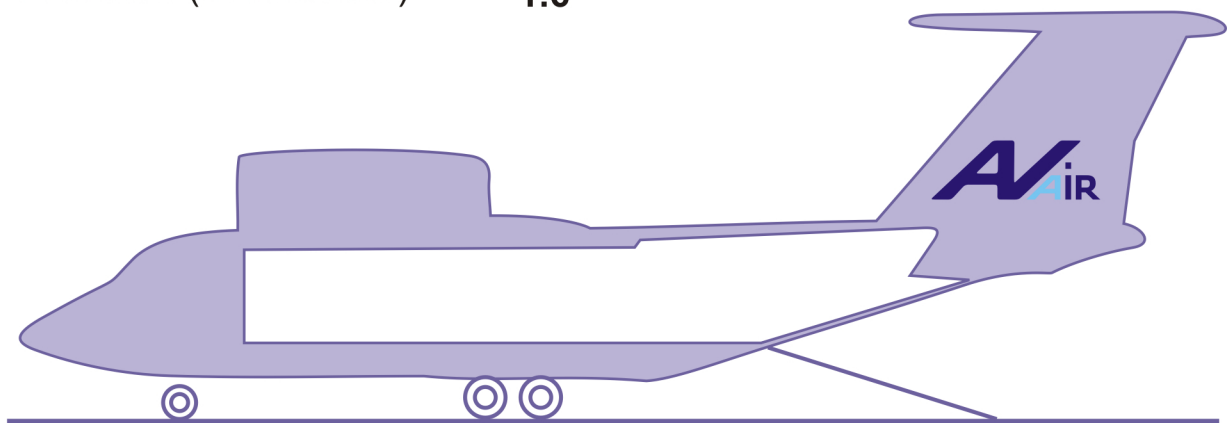


An 74

SPECIFICATION

Max load (tonnes)	6.5
Door size (WxH cm)	226 x 220
Cargo hold (LxWxH cm)	1000 x 215 x 220
Useable volume (cubic m)	45
Runway requirement (m)	4200
Load range (km)	1800
Ferry range (km)	4000
Cruise speed (km/h)	720
Fuel burn (tonnes/hour)	1.6



AViR